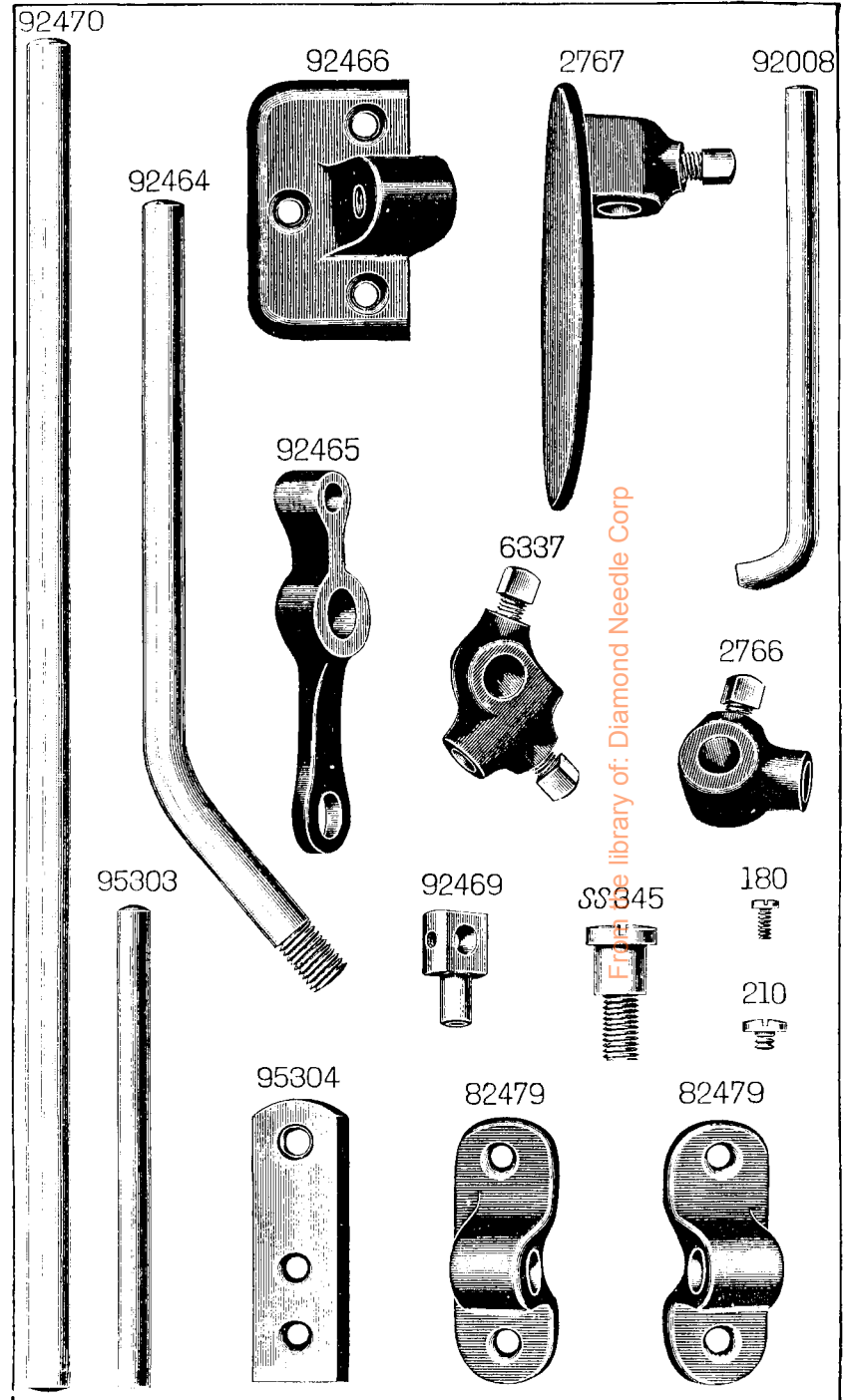


SINGER

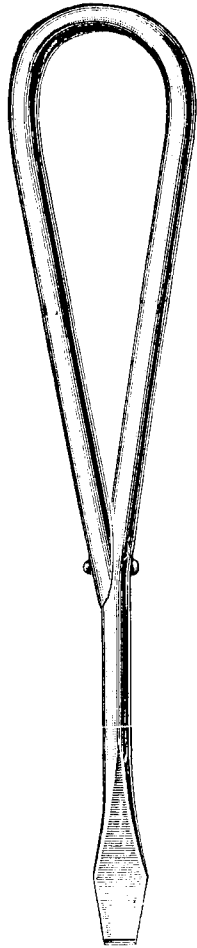
46K45

ILLUSTRATED
LIST OF PARTS
FOR
No. 46K45 Machine

THE SINGER MANUFACTURING COMPANY



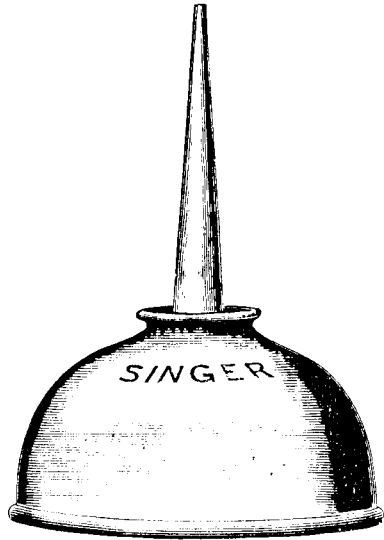
25537



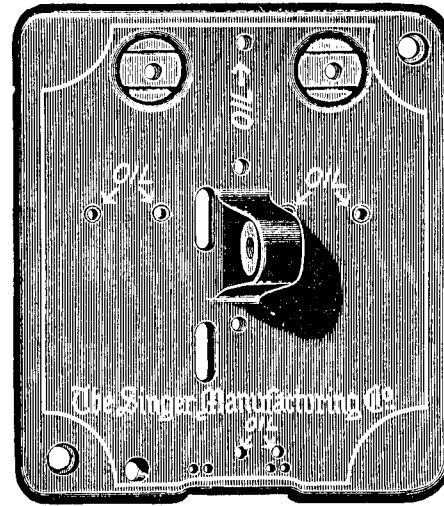
86405



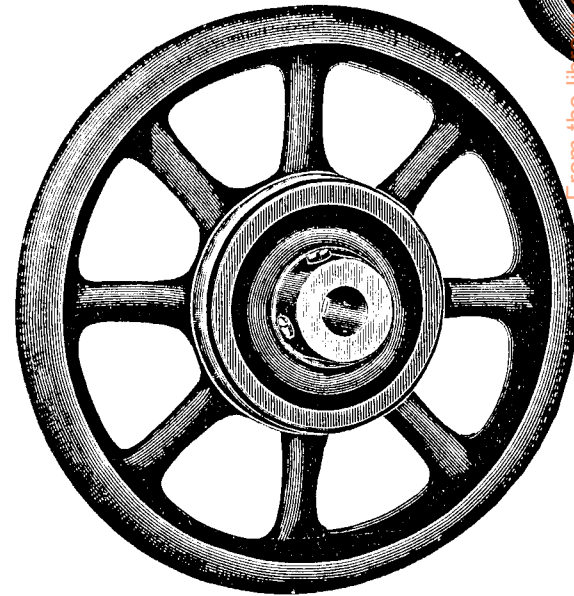
36569



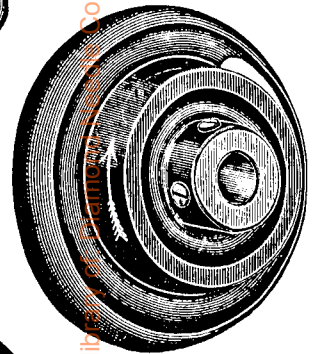
92028



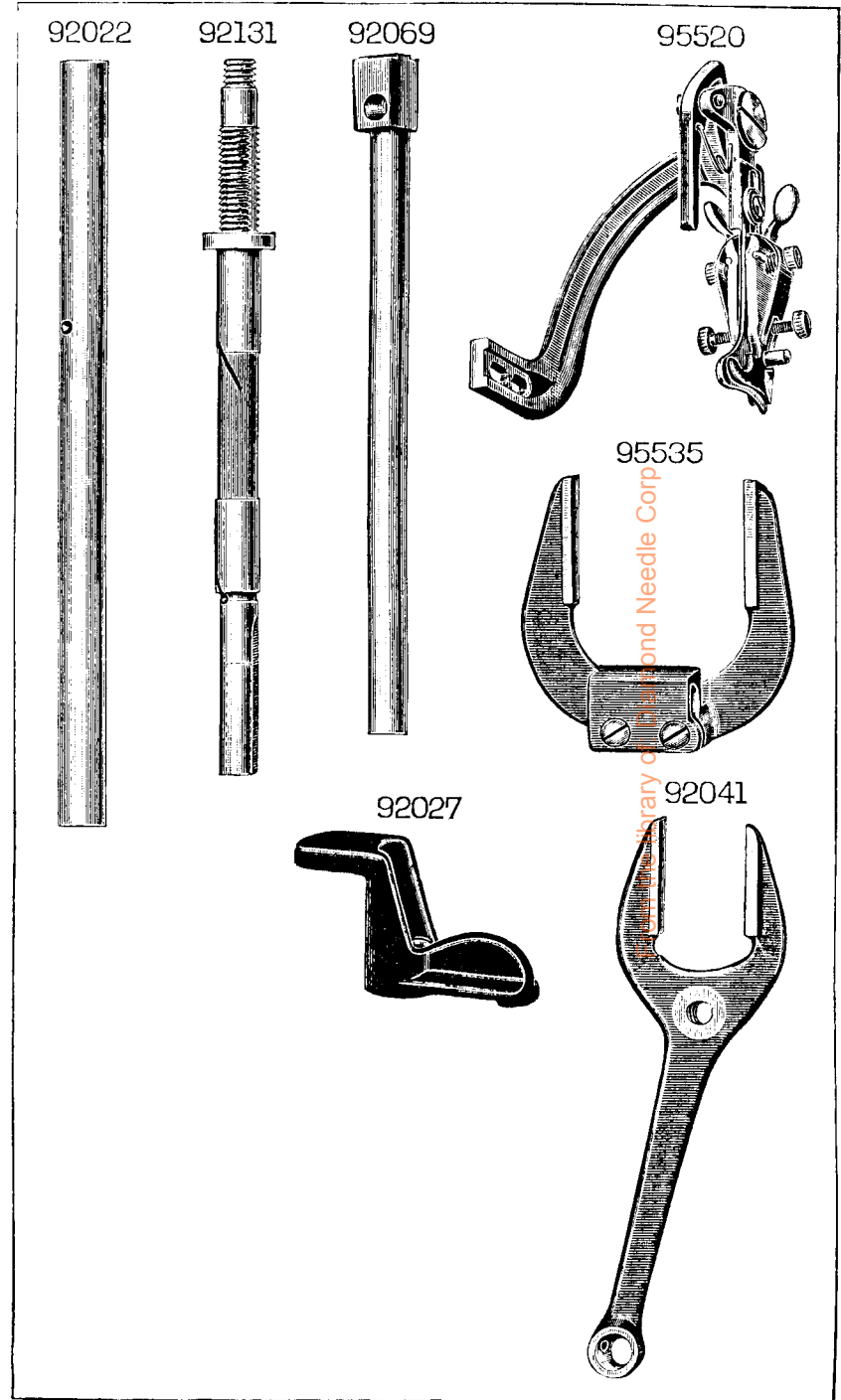
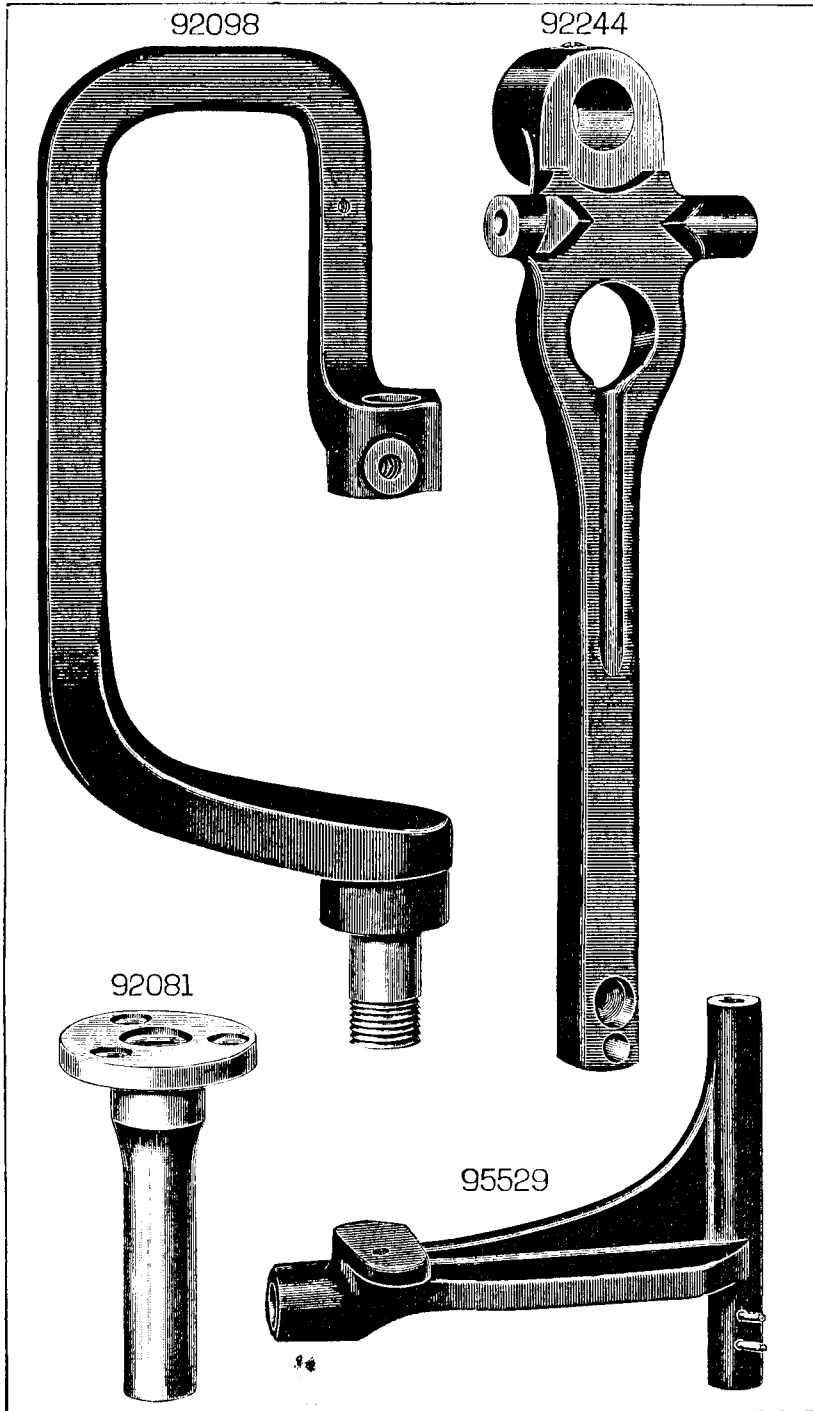
92169

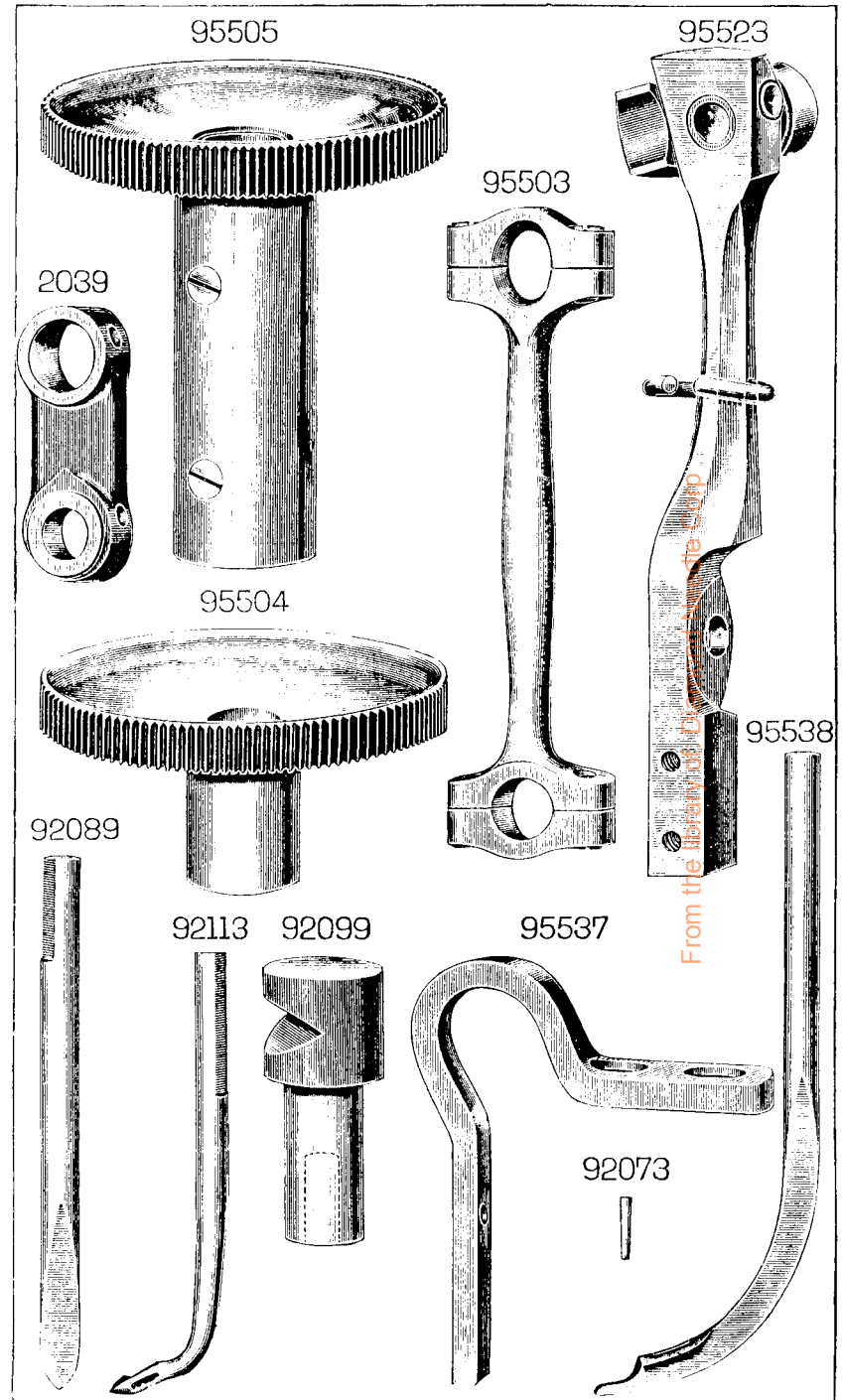
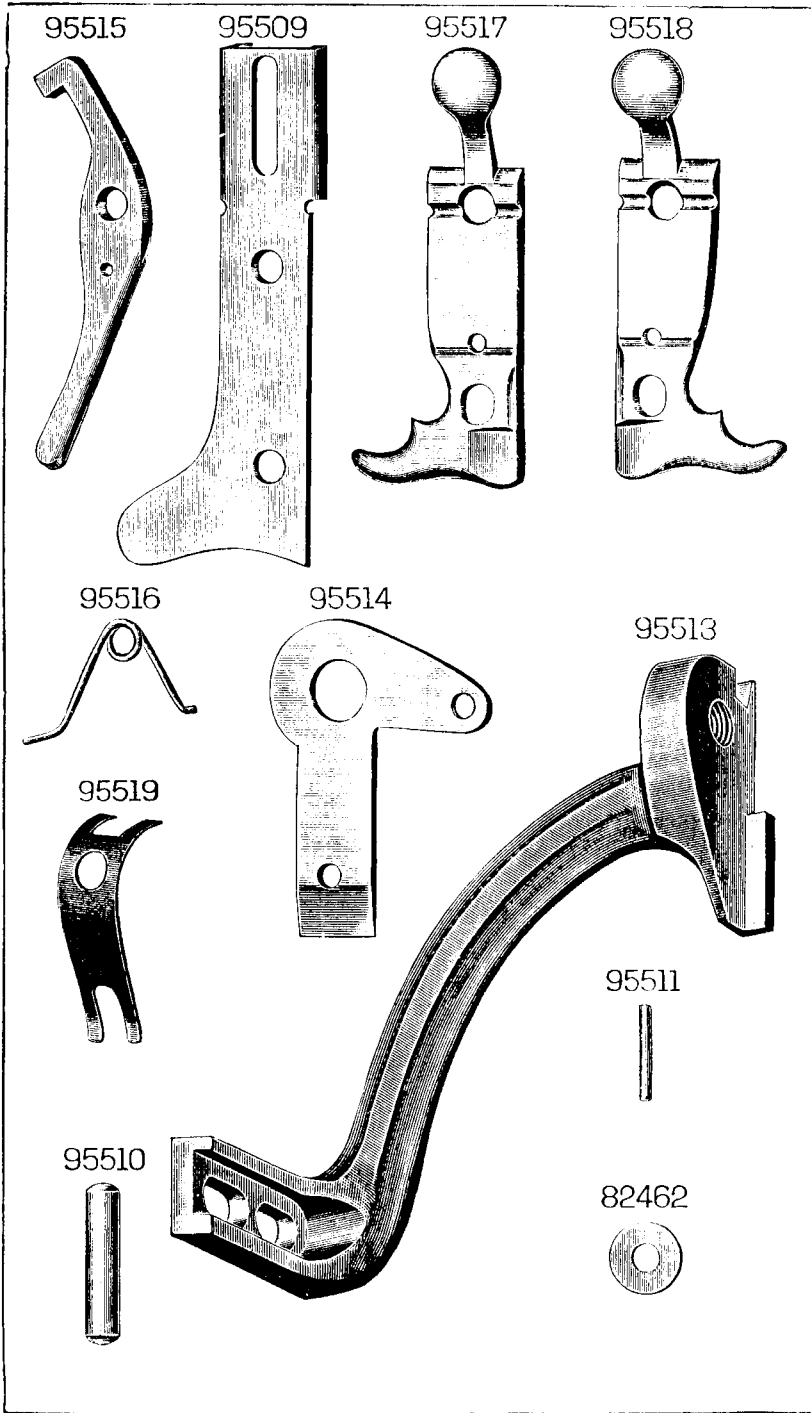


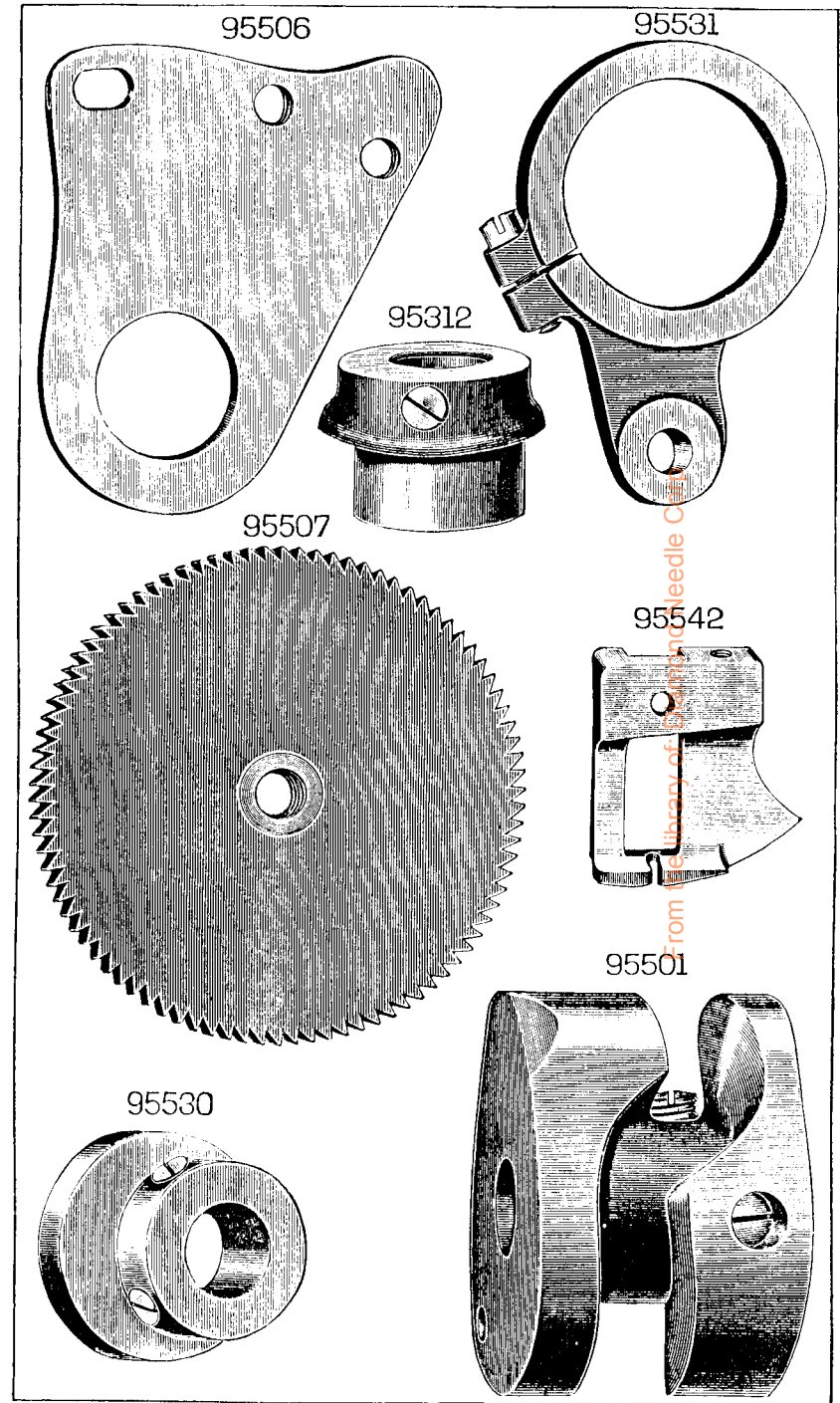
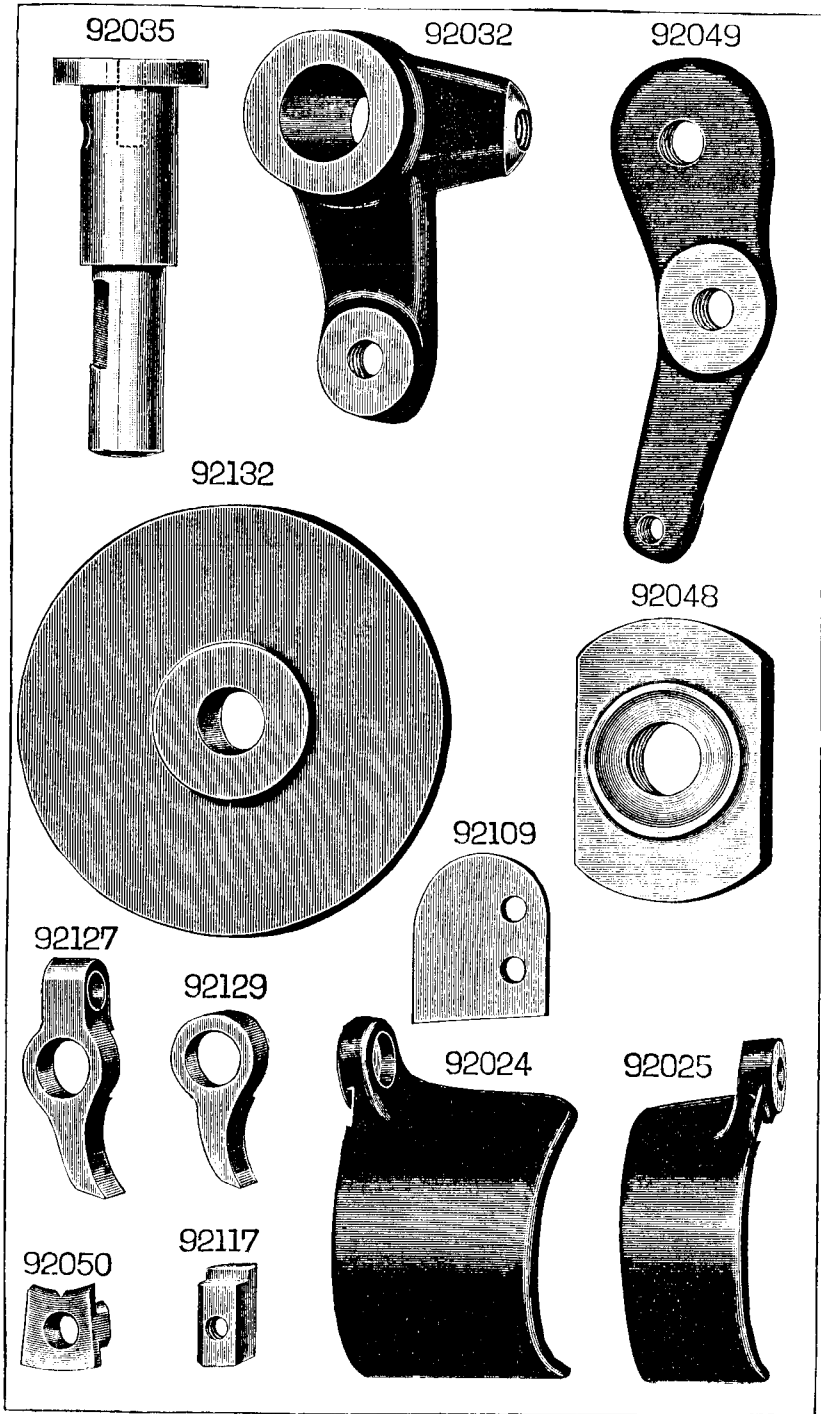
92026

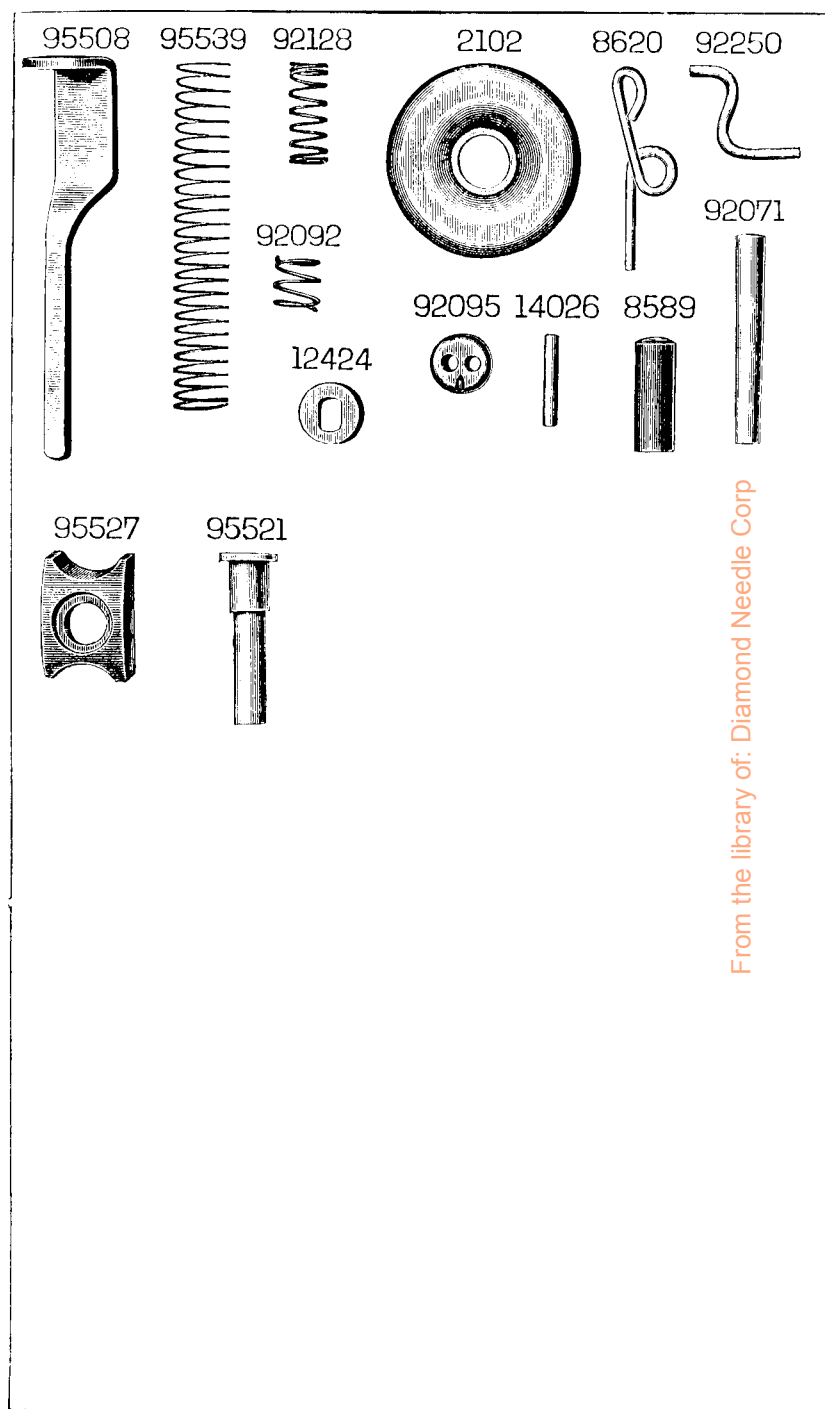
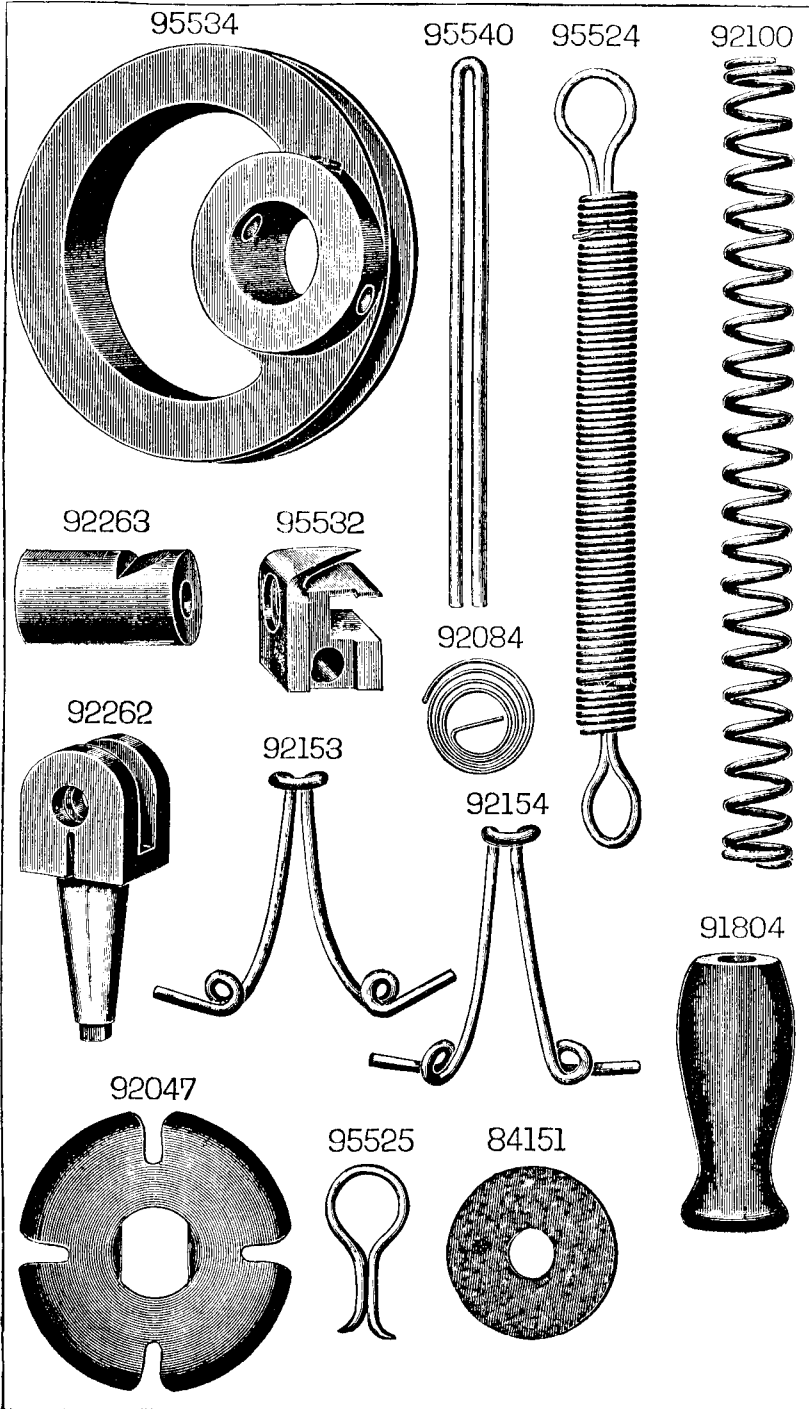


From the library of the Smithsonian Institution

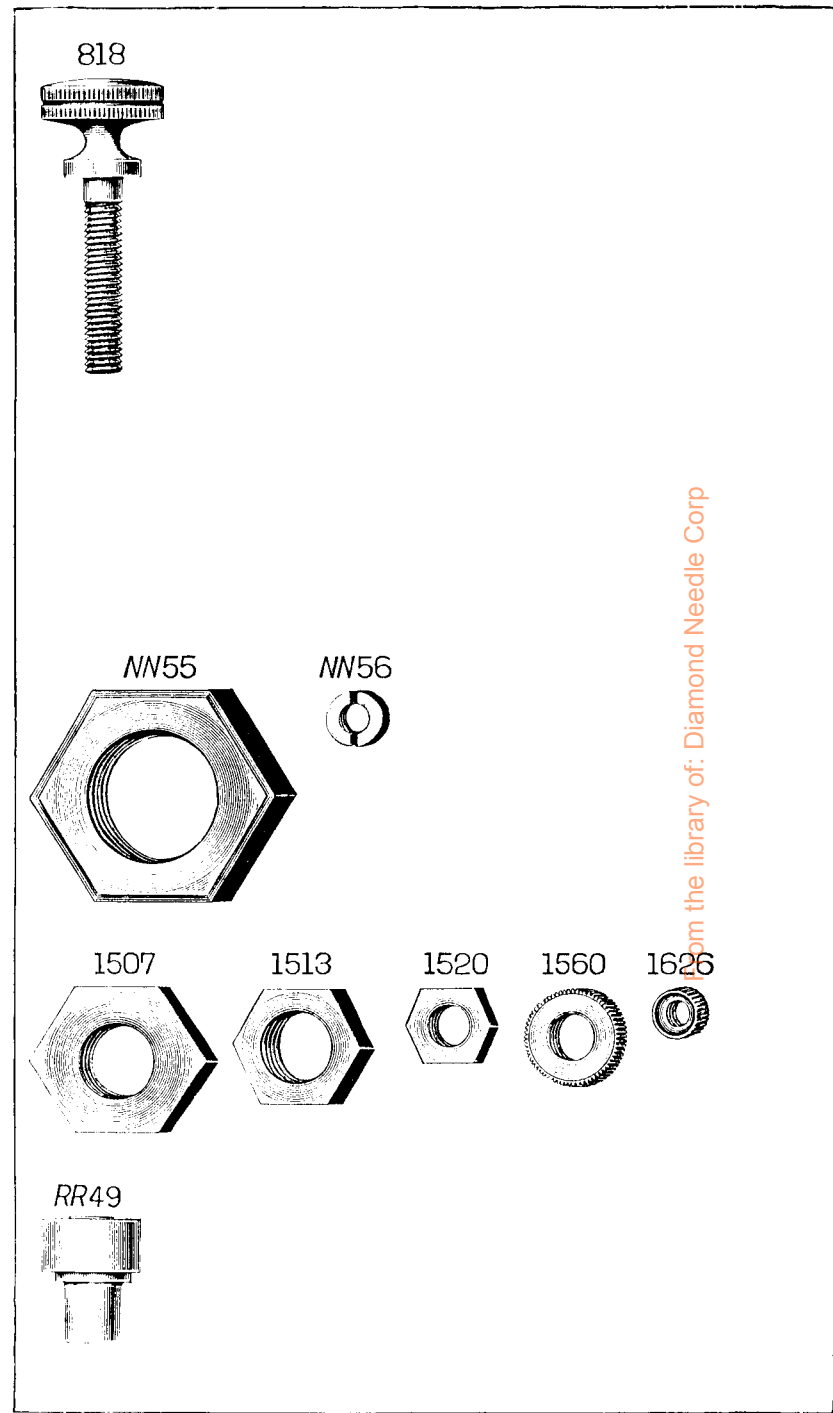
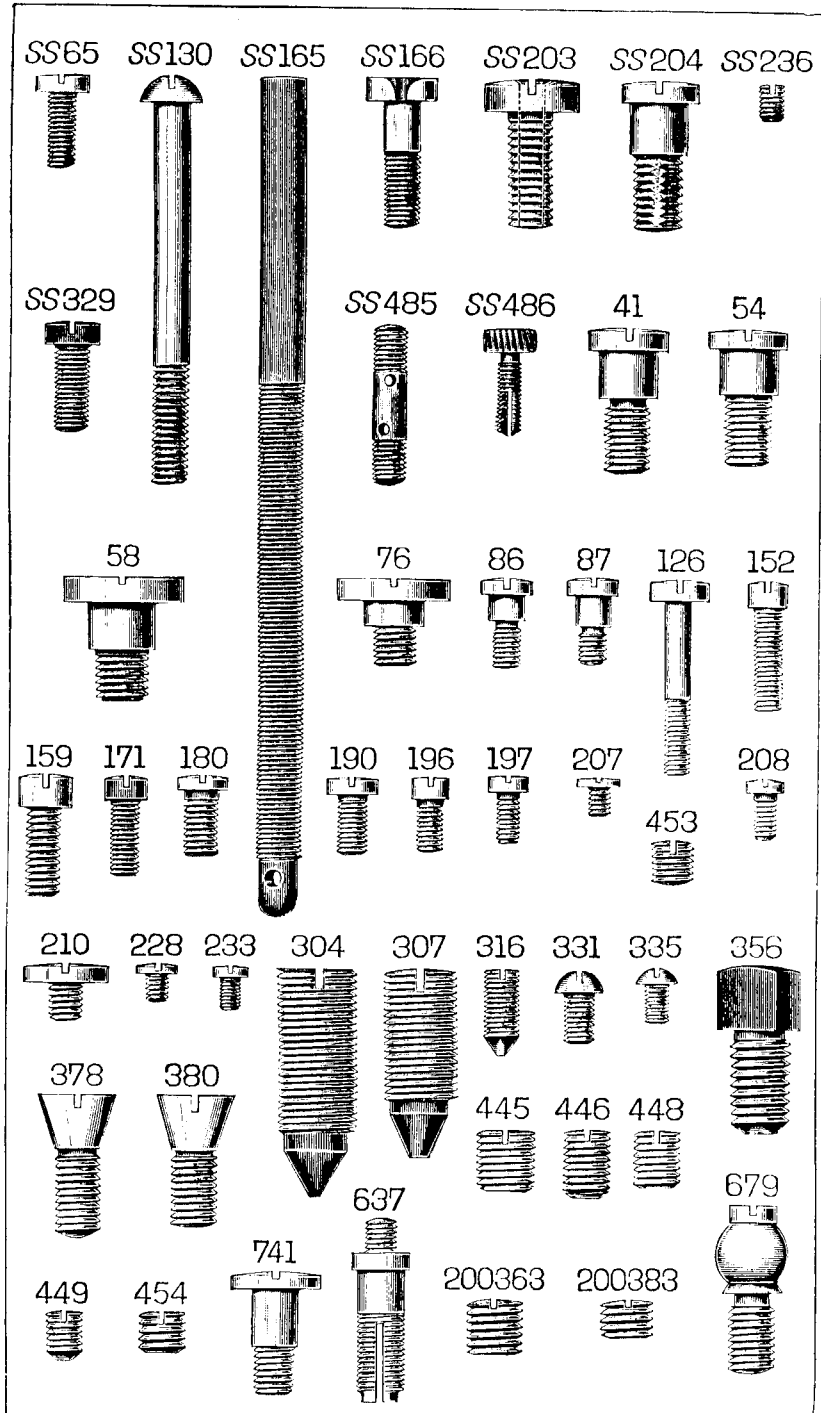






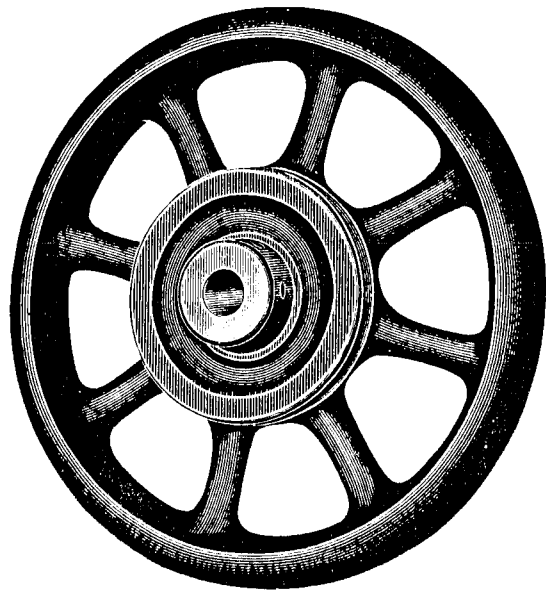


From the library of: Diamond Needle Corp



From the library of: Diamond Needle Corp

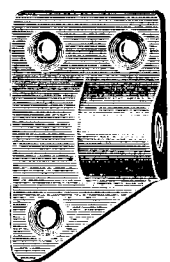
92169



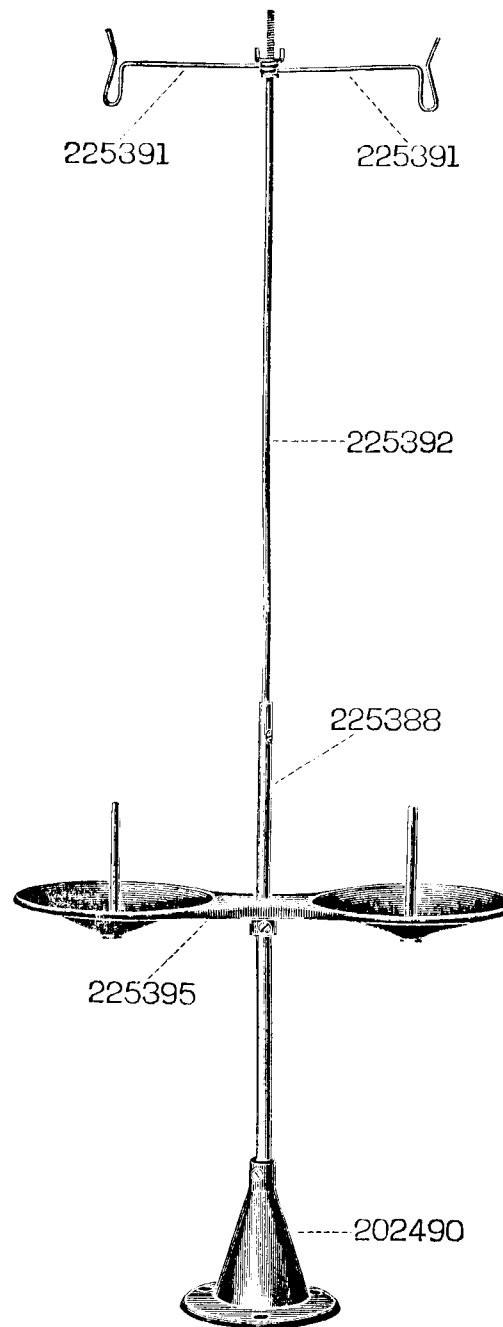
95457



95458



225396



225391

225391

225392

225388

225395

202490

From the library of: Diamond Needle Corp

ORDERING INSTRUCTIONS

In ordering from this List, the prefix and affix letters, with the part number, **MUST BE** quoted exactly as they are shown in the first column.

A number always indicates the same part, in whatever List it may appear, or for whatever machine.

The prefix *SS* indicates Screws made only at Singer.

" " *NN* " Nuts made only at Singer.

" " *RR* " Rollers and Studs made only at Singer.

The affix Letters (where shown) indicate the style of finish, as follows :

A. Hardened, Polished and Plated.

B. Polished and Plated.

C. Hardened only.

D. Polished only.

E. Soft, not Polished.

F. Hardened and Polished.

H. Blued.

J. Plated only.

K. Hardened and Plated.

L. Brass or Gilt.

M. Oxidised.

P. Japanned.

R. Merlized.

T. Copper Plated.

In this series :

1 to 1500 and 50001 to 51500 are Screw Numbers.

1501 " 1800 are Nut Numbers.

1801 " 2000 " Roller "

2001 " 50000 are numbers of machine parts, etc.

80001 " 100000 are numbers of machine parts, etc.
made only at Singer.

Parts marked with an asterisk () are furnished
only when the repairs are made at Factory.*

PARTS COMPLETE

FOR

No. 46K45 MACHINE

For Seaming Hosiery with Selvedge Edge. For Foot Power only,
for Home Manufacture. Machine Feeds from Left to Right.

No.	Plate						
92026	1444	Balance Hand Wheel	with two 448c
448c	1453	"	" " " Set Screw
92169	1444	"	Wheel with two 448c
91804	1451	"	" Handle (Wood)
SS130d	1453	"	" " " Screw
448c	1453	"	" " " Set Screw
92022	1446	"	" " Shaft
95501	1450	"	" " " Loper Cam (Steel) with two 445c
445c	1453	"	" " " " " " Set Screw
92024	1449	"	" " " Oil Hole Cover (right)
92025	1449	"	" " " " " " (left)
86d	1453	"	" " " " " " Hinge Screw
92028	1444	Cover Plate	with four 92029
92029	-	"	" " Oil Tube
159f	1453	"	" " Screw (2)
95502	-	Cover Plate, complete,	Nos. SS236c, 92028, 92153, 92154, 95541, two each 190d, 637f, 1560d, 92084 and four 2102
95538	1448	Edge Guide
152f	1453	"	" " Set Screw
92244	1445	Feed Adjusting Lever	with 446c
307c	1453	"	" " " Screw Centre (2)
1513j	1454	"	" " " " " Nut (2)
SS165e	1453	"	" " " " " Spindle
14026	1452	"	" " " " " Position Pin
92100	1451	"	" " " " " Spring
1560d	1454	"	" " " " " Thumb Nut
446c	1453	"	" " " " " Set Screw
92032	1449	Feed Bell Crank
*95543	-	"	" " " " " Connecting Rod
95503	1448	"	" " " " " " 95543 with 92034, 92256 and four 196f
*92256	-	"	" " " " " " Cap (for Feed Bell Crank Uni- versal Joint Screw)

From the library of: Diamond Needle Corp

No.	Plate					
*92034	---	Feed Bell Crank	Connecting Rod Cap (for Pawl Plate Universal Joint Screw)			
196f	1453	"	"	"	"	Binding Screw
92035	1449	"	"	"	Fulcrum Stud	
448c	1453	"	"	"	"	Set Screw
679c	1453	"	"	"	Universal Joint Screw	
92098	1445	Feed Bracket	(front)			
NN55e	1454	"	"	Nut		
92099	1448	"	"	Stud		
210b	1453	"	"	"	End Position Screw	
316c	1453	"	"	"	Raising Set Screw	
445c	1453	"	"	"	Set Screw	
8620	1452	"	"	Thread Eyelet		
331d	1453	"	"	"	"	Screw
95312	1450	"	Cam with 448c			
448c	1453	"	"	Set Screw		
2039	1448	"	Connecting Link			
380c	1453	"	"	"	Hinge Screw (2)	
1520r	1454	"	"	"	"	Nut (2)
95504	1448	Feeding Disc	(front)			
95505	1448	"	"	(back) with two 451c		
454c	1453	"	"	Set Screw		
92041	1446	Feed Forked Connection				
378c	1453	"	"	"	Hinge Screw	
1520r	1454	"	"	"	"	Nut
92127	1449	Feed Ratchet Pawl	(front)			
41c	1453	"	"	"	(") Hinge Screw	
1520r	1454	"	"	"	(") " Nut	
92128	1452	"	"	"	(") Spring	
92129	1449	"	"	"	(back)	
208c	1453	"	"	"	(") Adjusting Screw	
SS204c	1453	"	"	"	(") Hinge Screw	
1520r	1454	"	"	"	(") " Nut	
95506	1450	"	"	"	Plate	
679c	1453	"	"	"	Universal Joint Screw	
1520r	1454	"	"	"	"	Nut
92131	1446	"	"	Shaft (upright)		
SS203b	1453	"	"	"	(") Screw	
92132	1449	"	"	"	Flange	
95507	1450	"	"	Wheel (90 teeth)		
92047	1451	"	"	"	Spring Disc	
92048	1449	"	"	"	Collar	
1507e	1454	"	"	"	"	Adjusting Nut

No.	Plate					
92049	1449	Feed Regulator				
58d	1453	"	"	Hinge Screw		
92050	1449	"	"	Stitch Indicator		
92109	1449	"	"	Stop Plate		
335d	1453	"	"	"	"	Screw (2)
818d	1454	"	"	Thumb Screw		
95509	1447	Guide Adjusting Separator Blade				
95510	1447	"	"	"	"	Guide Pin
SS485d	1453	"	"	"	"	Screw
1626f	1454	"	"	"	"	Nut
95511	1447	"	"	"	"	Pin
95512	---	"	"	"	"	complete, Nos. SS485d, 95509, 95510, two each 1626f and 95511
159f	1453	"	"	Binding Screw (2)		
95513	1447	"	"	Bracket		
95514	1447	"	"	Extension		
207f	1453	"	"	"	"	Screw
82462	1447	"	"	"	"	Washer
95515	1447	"	"	Lever		
87d	1453	"	"	"	"	Screw
95516	1447	"	"	"	"	Spring
76d	1453	"	"	"	"	Screw
95517	1447	"	"	Leg (front)		
95518	1447	"	"	(back)		
SS486f	1453	"	"	Adjusting Screw		
95519	1447	"	"	Spring		
95520	1446	Guide	(adjustable), complete, Nos. 76d, 87d, 207f, 82462, 95512 to 95518, two each SS486f and 95519			
<i>NOTE: Guide No. 95520 is only supplied with this machine when specified on order and at an extra charge.</i>						
*92053	---	Head (of Machine)				
92113	1448	Looper	with 92057			
197f	1453	"	Binding Screw (2)			
92057	---	"	Position Pin			
*95522	---	Looper Holder				
95523	1448	"	"	95522 with RR49, 95521, 95526 and 95527		
95527	1452	"	"	Cam Block		
95521	1452	"	"	"	"	Stud
RR49	1451	"	"	Roller and Stud		
95524	1451	"	"	Spring (2)		
95525	1451	"	"	"	"	Eyelet (4)
95526	---	"	"	"	"	Hook

From the Library of: Diamond Needle Corp

No.	Plate	
95528	---	Looper Holder , complete, Nos. 8589, 92264 and 95523
95529	1445	Looper Rock Shaft with two 92255
95530	1450	" " " Eccentric with two 453c
453c	1453	" " " " Set Screw
95531	1450	" " " " Strap with 152f and 741d
152f	1453	" " " " " Adjusting Screw
741d	1453	" " " " " Hinge Screw
92263	1451	" " " " Fulcrum Bush
92262	1451	" " " " " Joint
8589	1452	" " " " " Pin
233d	1453	" " " " " Screw
12424	1452	" " " " " Washer
92264	---	" " " " " complete, Nos. 233d, 12424, 92262 and 92263
304c	1453	" " " " Screw Centre (2)
1513j	1454	" " " " " Nut (2)
92255	---	" " " " Spring Hook
92069	1446	Needle Bar with 92073
95532	1451	" " " Clamp
126d	1453	" " " " Binding Screw
92117	1449	" " " " " Gib
SS65d	1453	" " " " " Binding Screw
95533	---	" " " " " complete, Nos. SS65d, 92117 and 95532
95534	1451	" " " " Eccentric with 449c
92071	1452	" " " " Dowel Pin
95535	1446	" " " " Fork with two SS329c
SS329c	1453	" " " " " Clamping Screw
449c	1453	" " " " " Set Screw
SS166a	1453	" " " " Thread Nipper Screw Stud
NN56c	1454	" " " " " " Lock Nut
92092	1452	" " " " " Spring
95536	---	Needle Bar , complete, Nos. 126d, SS166a, 92069, 92092, 95533 and two NN56c
95537	1418	Needle Guide
180b	1453	" " " Binding Screw (2)
95542	1450	" " " Work Guide
208c	1453	" " " " " Screw
95508	1452	" " " " Height Guide
228d	1453	" " " " " Binding Screw
92081	1445	Socket
54d	1453	" Binding Screw (3)

No.	Plate	
2102	1452	Tension Disc
637f	1453	" Screw Stud
1560d	1454	" " " Thumb Nut
92084	1451	" Spring
92250	1452	Thread Eyelet (fastened to Head of Machine)
92153	1451	" Guide (front)
92151	1451	" " (back)
190d	1453	" " Screw
92073	1448	" Nipper Guide Pin
92089	1448	" " Spindle
171c	1453	" " " Set Screw
95539	1452	" Take-up Spring
92095	1452	" " " Button
95540	1451	" " " Staple Wire
SS236c	1453	" " " " Binding Screw
95541	---	" " " " complete, Nos. 92095, 95539 and 95540
91893	---	Drip Pan
		" " " Screw (Wood) $\frac{1}{2}$ " No. 5 (4)

ACCESSORIES

No.	Plate	
92027	1446	Machine Button ...
84151	1451	" " Screw (Wood) 1 1/2" No. 12 R.H.B.
215-5	-	" " Washer (Leather)
36569	1355	Needles (2 each sizes 18, 19 and 21)...
25537	1355	Oiler ...
86405	1355	Screw Driver ...
		Tweezers ...



THREAD UNWINDER

For Two Spools of Thread.

No.	Plate	
225395	1621	Spool Rest with 201018e ...
225388	1621	" " Rod ...
200383e	1453	" " " Set Screw ...
201018e	-	" " " Set Screw ...
202490	1621	" Stand with 200383e ...
225391	1621	Thread Guide ...
201696j	-	" " Lock Nut ...
225392	1621	" " Rod with 208e and 225393 ...
208e	1453	" " " Screw ...
225393	-	" " " Washer ...
225396	1621	Thread Unwinder, complete, Nos. 201696j, 202490, 225388, 225392, 225395, two 225391 and three Wood Screws 1/2" No. 13.

KNEE LIFTER

No.	Plate	
2767	1023	Knee Plate with 356c ...
356c	1453	" " Set Screw ...
92464	1023	" " Arm ...
2766	1023	" " " Bracket with 356c ...
356c	1453	" " " Set Screw ...
92465	1023	Lifting Lever ...
SS345e	1023	" " Hinge Screw ...
92466	1023	" " Bracket ...
-	-	" " " Screw (Wood) 1" No. 10 ...
92008	1023	" " Connecting Rod ...
92009	-	" " " " 92008 with 6337 ...
6337	1023	" " " " Bracket with two 356c ...
356c	1453	" " " " Set Screw ...
95302	-	" " 92465 with 180d, 210d, SS345e, 92466, 92469 and 95303 ...
95303	1023	" " Releasing Pin ...
95304	1023	" " " " Guide Plate ...
-	-	" " " " " " Screw (Wood) 1" No. 10 ...
180d	1453	" " " " Set Screw ...
92469	1023	" " Stud ...
210d	1453	" " " Position Screw ...
92470	1023	Rock Shaft ...
92471	-	" " 92470 with 2766, 2767, 92009 and 92464 ...
82479	1023	" " Bracket ...
-	-	" " " Screw (Wood) 1" No. 10 ...
95305	-	Knee Lifter, complete, Nos. 92471, 95302, 95304, two 82479 and nine Wood Screws 1" No. 10 ...

From the library of Diamond Needle Corp

KNEE LIFTER

for machine WITHOUT Iron Base when used on Stand and Table only.

No.	Plate						
2767	1023	Knee Plate with 356c
92464	1023	" " Arm
2766	1023	" " " Bracket with 356c
356c	1453	" " " Set Screw
356c	1453	" " Set Screw
95457	1616	Lifting Lever
SS345e	1023	" " Hinge Screw
95458	1616	" " Bracket
---	---	" " Screw (Wood) 1" No. 10
92008	1023	" " Connecting Rod
92009	---	" " " " 92008 with 6337
6337	1023	" " " " Bracket with two 356c
356c	1453	" " " " Set Screw
95459	---	" " 95457 with SS345e and 95458
92470	1023	Rock Shaft
92471	---	" " 92470 with 2766, 2767, 92009 and 92464
82479	1023	" " Bracket
---	---	" " Screw (Wood) 1" No. 10
95499	---	Knee Lifter , complete, Nos. 92471, 95459, two 82479 and seven Wood Screws 1" No. 10